

caroma®

CI/SfB	(74.2)	g3
Date	October 2008	

Supersedes all previous issues

Brisbane 400 Wall Mount and Pedestal 7.2

Vitreous China Lavatories/Sinks

Nominal Size 15³/₄" (400mm) x 18¹/₂" (470mm)



c-UPC®

IAPMO listed for USA & Canada

Brisbane 400 Wall Mount and Pedestal

Vitreous China Lavatories/Sinks

Lavatory Size: 15³/₄" (400mm) x 18¹/₂" (470mm)



A minimalist geometric designed wall lavatory incorporating a generous bowl area and distinctive tapware platform. The **Brisbane 400** has been designed to coordinate with other products in the Brisbane range and is available with a pedestal or shroud. The lavatory is suitable for general purpose domestic and commercial applications.

Faucet Holes: Lavatory available in no faucet hole option Code No. 851408, one faucet hole – centre option Code No. 851418, and three 8" faucet hole option Code No. 851438.

Drain Outlet: Drain outlets use 1¹/₄" (32mm) diameter drain outlet assemblies.

Pedestal: Brisbane pedestal, Code No. 812248. Accurate setout and use of recommended traps is essential for optimum installation. S-trap – 40mm standard Caroma plastic traps.

Shroud: Brisbane shroud, Code No. 812258. Completely conceals P-trap waste pipe fittings. Use concealed fixing bracket – supplied.

Note: It is essential for the installation of the shroud to the lavatory that clearance is provided for the shroud in the plumbing setout from water inlet pipes and connections.

Bowl Capacity: 0.66 gals (2.5 l) to overflow.

Weight: 25 lbs (11 kg).

Overflow: Rear overflow.

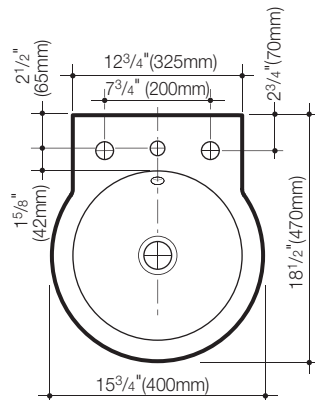
Fixing: **D.200 Lavatory Fixing Kit:** Supplied. Bolts directly to the finished wall.

Color: White.

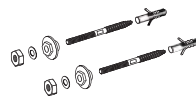
Dimensions: All dimensions are in inches and millimetres and are subject to normal manufacturing variations. Caroma pursues a policy of continuing improvement in design and performance of its products. The right is therefore reserved to vary specifications without notice.

c-UPC®

IAPMO listed for USA & Canada



**D.200 Lavatory Fixing Kit
included with lavatory**



**Concealed Fixing Bracket
included with shroud**

