

caroma®

CI/SfB	(74.2)	n6
Date	October 2008	

Supersedes all previous issues

Brisbane Semi-Recessed

4.1

Vitreous China Lavatories/Sinks

Nominal Size 15³/₄" (400mm) x 18³/₄" (475mm)



c-UPC®

IAPMO listed for USA & Canada

Brisbane Semi-Recessed

Vitreous China Lavatories/Sinks

Lavatory Size: 15³/₄" (400mm) x 18³/₄" (475mm) (nominal)



c-UPC®

IAPMO listed for USA & Canada

A minimalist geometric designed semi-recessed vanity lavatory. The **Brisbane Semi-Recessed** has been designed to coordinate with other products in the Brisbane range. The lavatory is suitable for general purpose domestic and commercial applications. The lavatory is sealed to the countertop with an approved acetic cured silicon caulking.

Faucet Holes: The lavatory is available in one faucet hole Code No. 851518W and three faucet hole Code No. 851538.

Drain Outlet: Drain outlets use 1¹/₄" (32mm) diameter drain outlet assemblies.

Bowl Capacity: 0.66 gal (2.5 l) to overflow.

Weight: 24 lbs (11 kg).

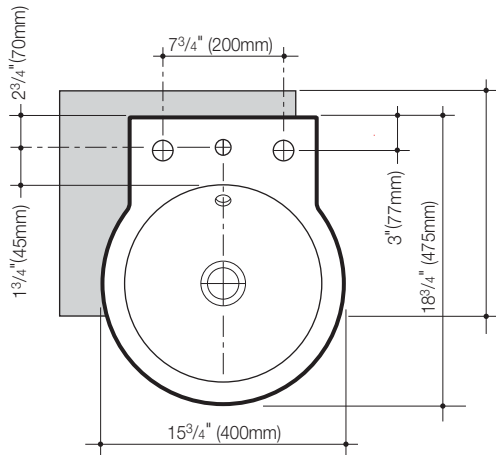
Overflow: Rear overflow.

Fixing: **D.250 Bracket with Tie Hooks:** Supplied. Recommended for domestic and general commercial use. Two D.250 brackets are fixed to the underside of the counter top to secure the tie hooks which anchor the back of the lavatory to the counter top. The lavatory must be sealed to the top and front surface of the counter with an approved acetic cured silicon caulking. **Epoxy type glues must not be used.** The lavatory is supplied with a template which must be used for the countertop cut-out.

Important: For granite or marble tops, fix two 1" (20mm) thick wooden blocks in the bracket position on the underside of the granite/marble with fast setting two part epoxy. When fully set screw the brackets into position on the wooden blocks. Other suitable fastening systems may be used.

Color: White.

Dimensions: All dimensions are in inches and millimetres and are subject to normal manufacturing variations. Caroma pursues a policy of continuing improvement in design and performance of its products. The right is therefore reserved to vary specifications without notice.



Note: Local authorities have requirements for minimum lavatory to wall dimensions.

D250. Fixing Bracket

