

caroma®

| | | |
|--------|-------------|----|
| CI/SfB | (74.1) | g3 |
| Date | August 2009 | |

Supersedes all previous issues

Cube³ Ultra 0.13 gpf (0.5 lpf) Electronic Activation Urinal Suite

9.1

Smart Demand 'Urine Sensing' Flushing System
With Vitreous China Wall-Hung Box Rim Urinal

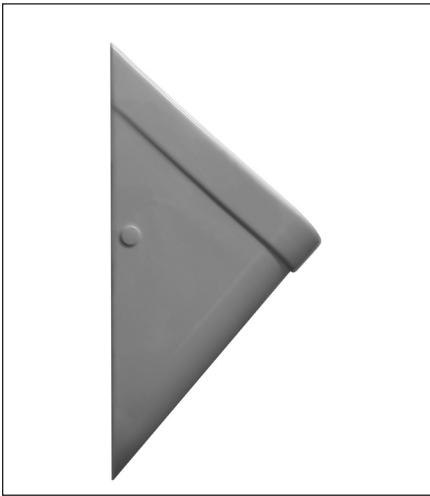


HIGH EFFICIENCY URINAL
HEU

c-UPC®
IAPMO listed for USA & Canada

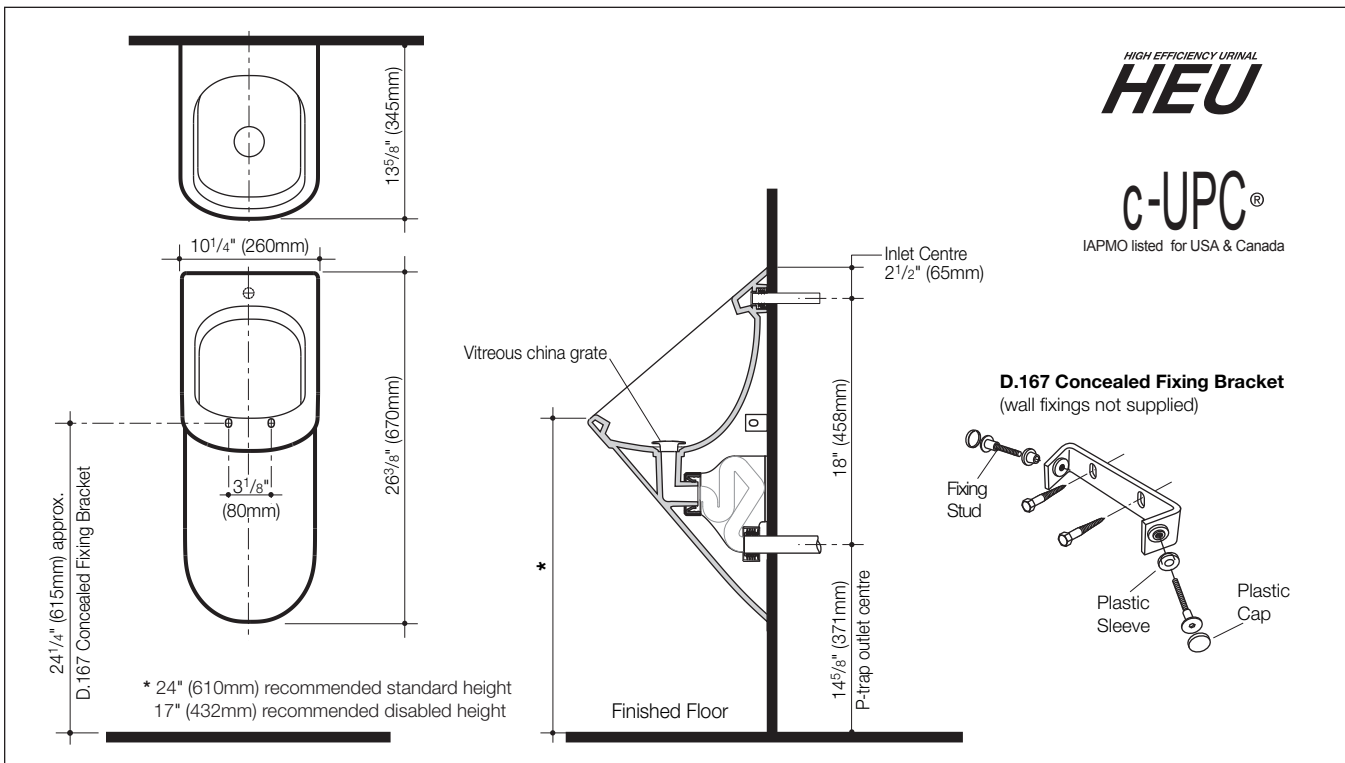
Cube³ Ultra 0.13 gpf (0.5 l) HEU

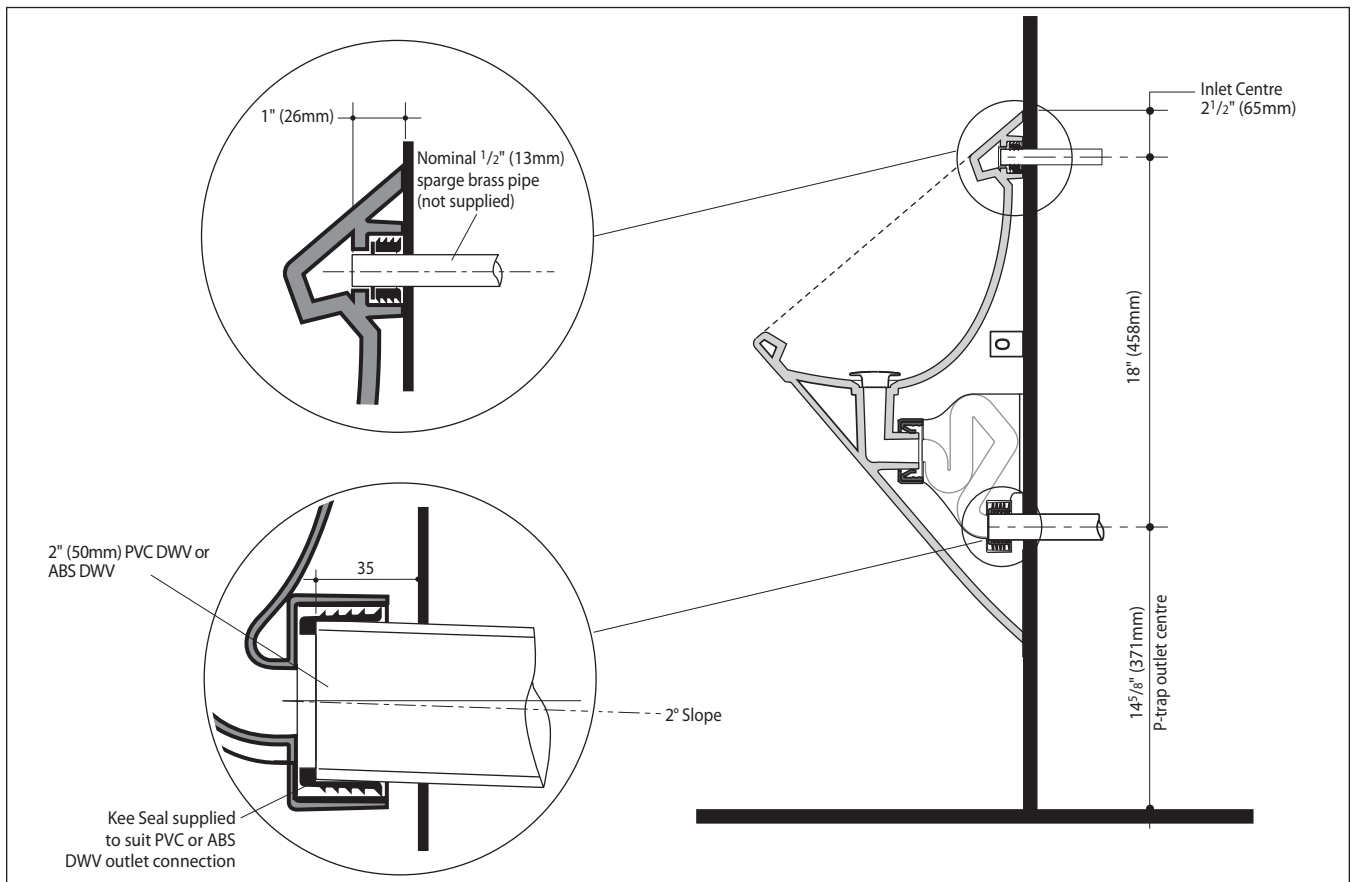
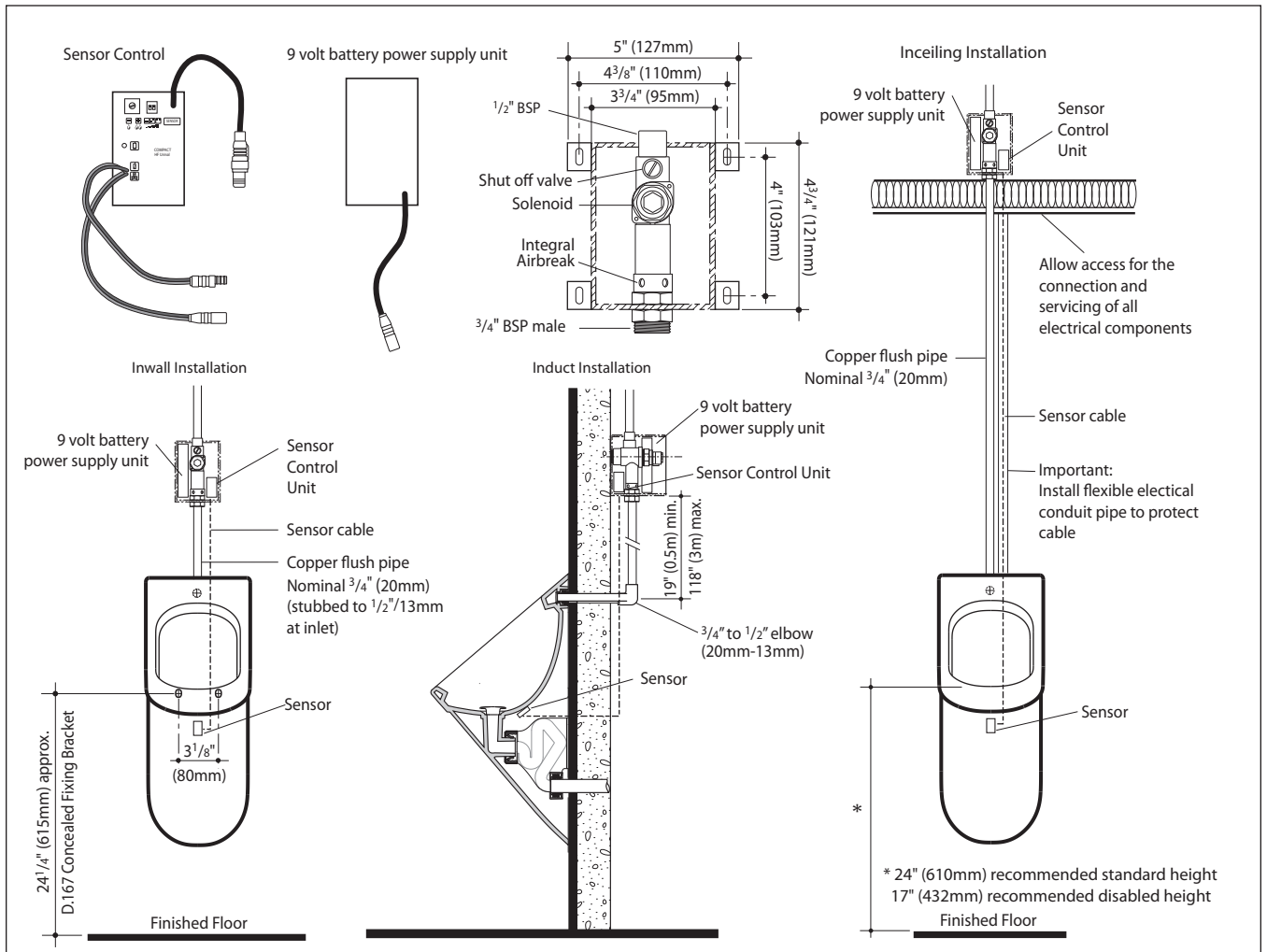
Smart Demand 'Urine Sensing' Flushing System Inwall/Induct/Inceiling With Vitreous China Wall-Hung Box Rim Urinal

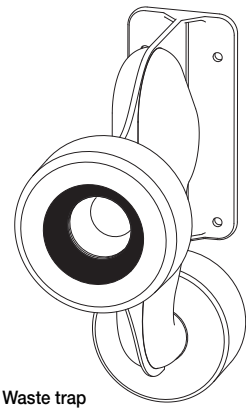
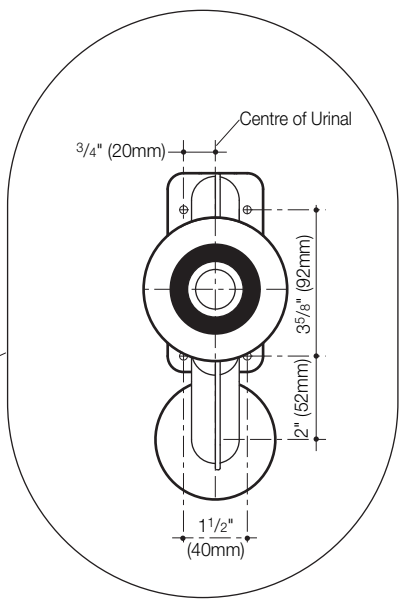
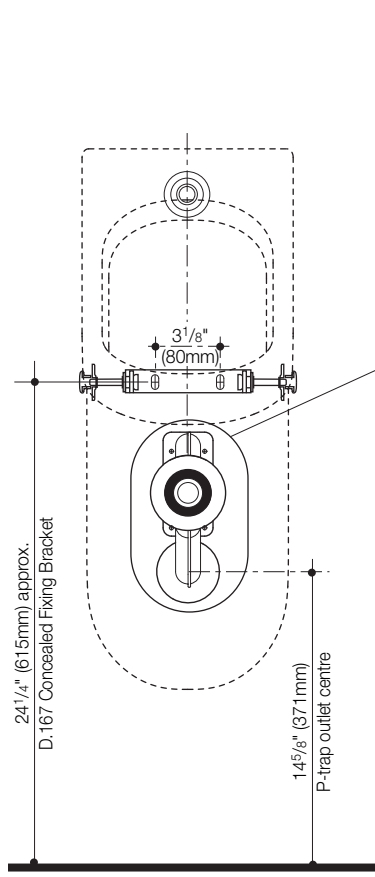


A contemporary design fully integrated box rim, wall mounted urinal operating with an ultra low flush of 0.13 gpf (0.5 liter). The system incorporates a fully automatic electronic smart demand 'Urine Sensing' urinal suite featuring hands-free operation to give a combination of superior features in optimum user hygiene, water saving and vandal resistance. Cube³ Ultra combines the new smart demand flushing system with the **Cube³ Ultra** urinal ensuring optimal operational standards and efficiency. The sensor is concealed behind the urinal resulting in vandal resistant installation ideal for heavy-duty applications. The sensor device is factory fitted for ease of installation.

- Inlet:** Back inlet for concealed nominal 3/4" (20mm) diameter (stubbed down to 1/2"/12.7mm inlet) sparge pipe and compression rubber fitting.
- Outlet:** The urinal trap is connected to wall waste pipe which allows for a simple push on urinal connection.
- Inwall:** Automatic urinal flush system suitable for minimum cavity thickness of 4" (100mm).
- Induct:** Automatic urinal flush system.
- Inceiling:** Automatic urinal flush system.
- Electronic Urinal Suite:** Wall mounted urinal suite Code No. 678650. Electronics Code No. 687278.
- Flush Control Mechanism:** Smart demand 'Urine Sensing' operation with an integrated smart logic system, detects user and determines flush mode accordingly. The flush duration is adjustable to allow for the accurate determination of flush volume at varying pressures.
- Stadium operation:** 5 or more uses within a time period of three minutes = 1 flush/minute. Automatically reverts to normal usage at non-peak periods.
- Hygienic Flush:** Hygienic flush every 24 hours prevents the trap seal from drying out.
- Electronic Valve:** The operating voltage of the valve is 6 volts. The operation flow pressure of the valve is 43.5 to 72.5 psi (300 to 500 kPa) 98 1/2' to 164' (30 to 50 metres head) with a minimum flow to the valve of 5.3 gallons/minute (20 litres/minute). The valve incorporates an integral airbreak system and shut off valve.
- Battery operated:** Supply voltage-transformer. Operating current 9 volts (6 x 1.5v AA batteries).
- Installation:** Provide conduit without kinks to connect the sensor cable to the control box. 3.5m of sensor cable supplied as standard. Minimum supply diameter of nominal 3/4" (20mm) is required to the valve.
- Dimensions** All dimensions are in inches and millimetres and are subject to normal manufacturing variations. Caroma pursues policy of continued improvement in design and performance of its products. The right is therefore reserved to vary specifications without notice.
- Color:** White.







Plastic Waste trap