

caroma®

CI/SfB	(74.4)	g3
Date	November 2008	

Supersedes all previous issues

H₂Zero Waterless Urinal

Vitreous China Wall-Hung Urinal

9.2



HIGH EFFICIENCY URINAL
HEU



Caroma H₂Zero Waterless Urinal

Vitreous China Wall-Hung Urinal

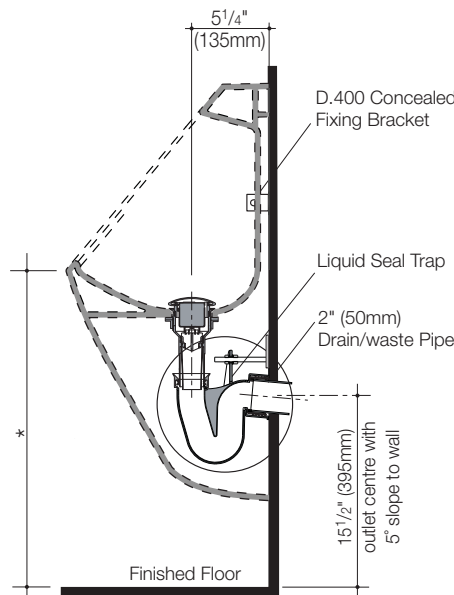
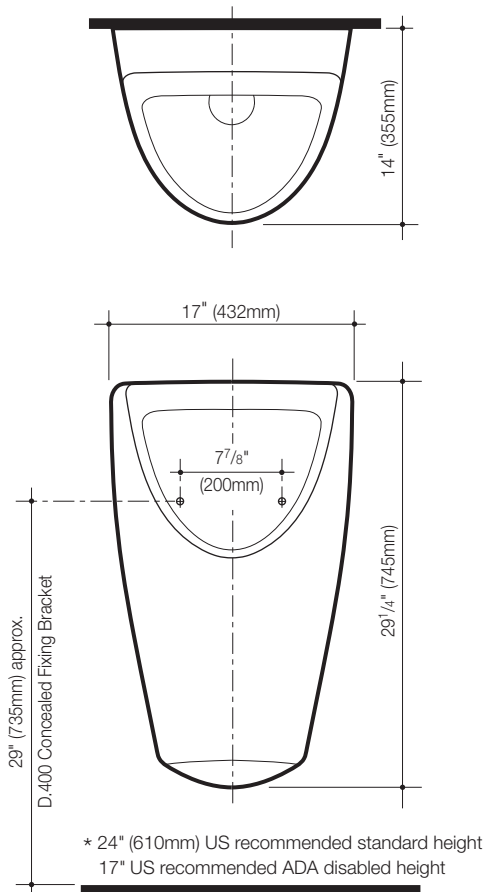
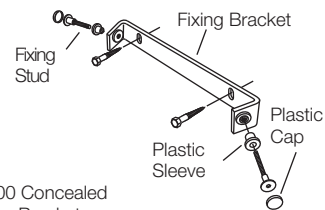


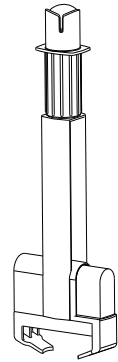
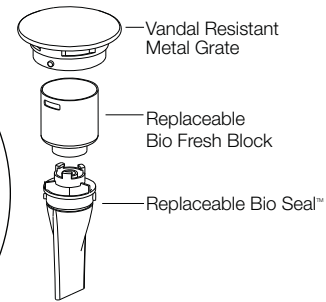
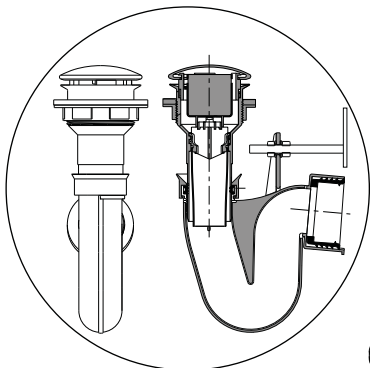
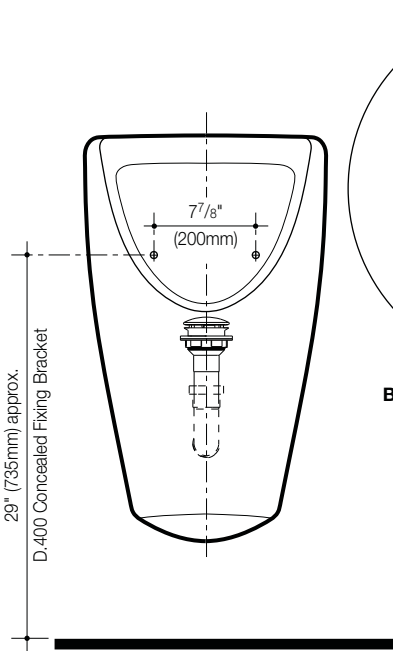
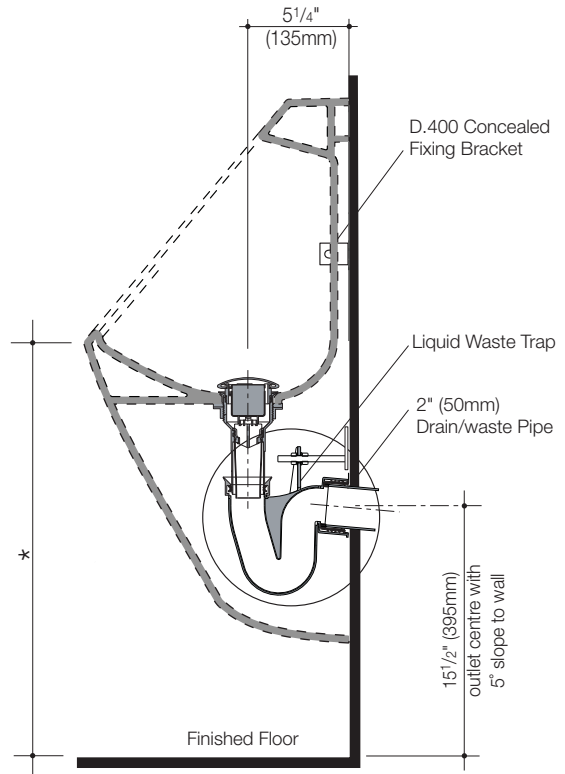
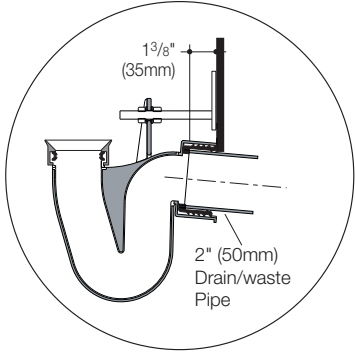
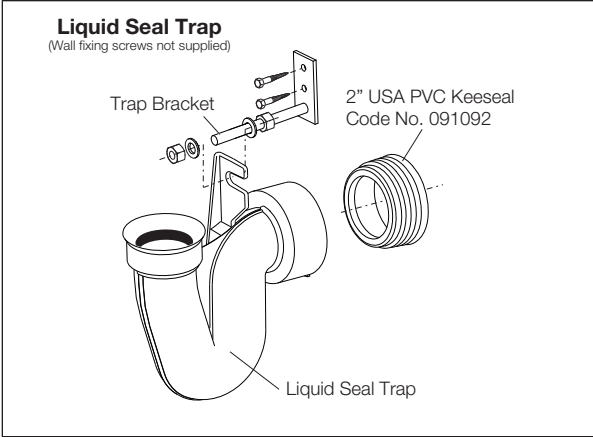
A modern design wall mounted urinal providing superior waterless technology for optimum water efficiency. The **Caroma H₂Zero™** waterless urinal has been designed to utilize unique cartridge technology. The patented cartridge incorporates a Bio Seal™ that opens during usage and self seals immediately after use allowing for discharge into a 2" liquid seal trap. A replaceable Bio Fresh deodorizing block maintains the aesthetics of the urinal bowl by assisting in the dissipation of uric salts and releasing a pleasant fragrance. The urinal incorporates concealed plumbing connections and easy to clean surfaces for minimum low cost maintenance. The metal grate is vandal resistant and a specially designed tool is used for the touch-free replacement of the Bio Seal and Bio Fresh deodorizing block.

- Urinal:** Waterless urinal Code No. 678500. Service kit Code No. 687334.
- Trap:** The unique one way Bio Seal opens with usage and self seals immediately allowing for discharge into a 2" liquid seal trap.
- Outlet:** The urinal outlet is connected to a 2" (50mm) PVC DWV drain pipe connector.
- Fixing:** The **Caroma H₂Zero** waterless urinal is fixed to the wall with the D.400 concealed fixing bracket supplied.
- Fittings:** Vandal resistant metal grate supplied as standard.
- Color:** White.
- Installation:** The urinal must be installed in accordance with the American National Standard Uniform Plumbing Code. Local authorities have varying requirements.
- Weight:** 48 lb (22 kg).
- Dimensions:** All dimensions are in inches and millimetres and are subject to normal manufacturing variations. Caroma pursues a policy of continuing improvement in design and performance of its products. The right is therefore reserved to vary specifications without notice.



D.400 Concealed Fixing Bracket (Wall fixings not supplied)





**Specially designed tool
for Bio Seal™ and
Bio Fresh replacement**
Code No.687299

