

caroma®



Profile Smart 305 Round Front Plus

**Vitreous China Dual Flush
1.28/0.8 gal (4.8/3 ltr) HET,
Two Piece
Washdown Toilets.**

PLUMBERS INSTALLATION INSTRUCTIONS PLEASE READ CAREFULLY BEFORE INSTALLATION

Rough-in:

It is essential for the installation of the Profile Smart 305 two piece washdown toilets that the closet flange be accurately set out from the finished wall as detailed in **Fig. 3**.

IMPORTANT:

Reducing wax rings must not be used when installing this toilet pan, as detailed in **Fig. 2**.

Working Water Pressure:

USA & Canada: Recommended working water pressure is 20-80psi (140-550Kpa).

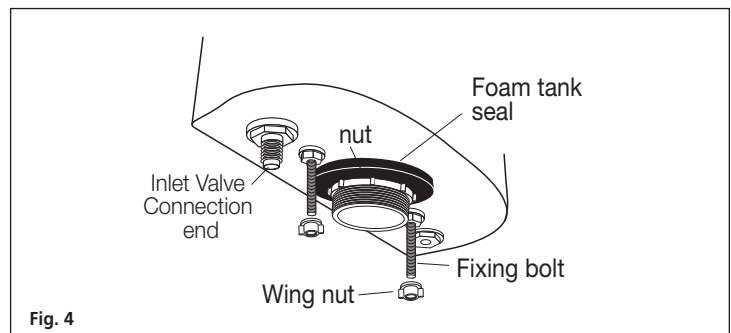
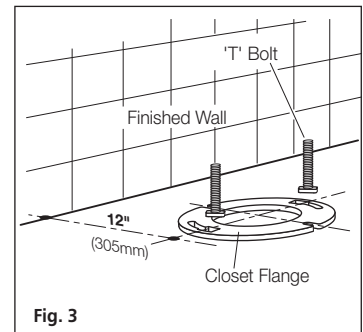
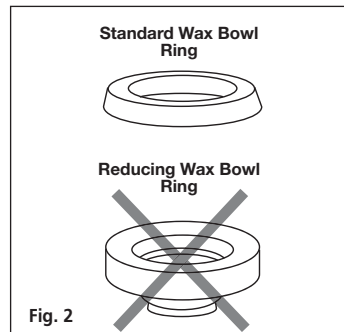
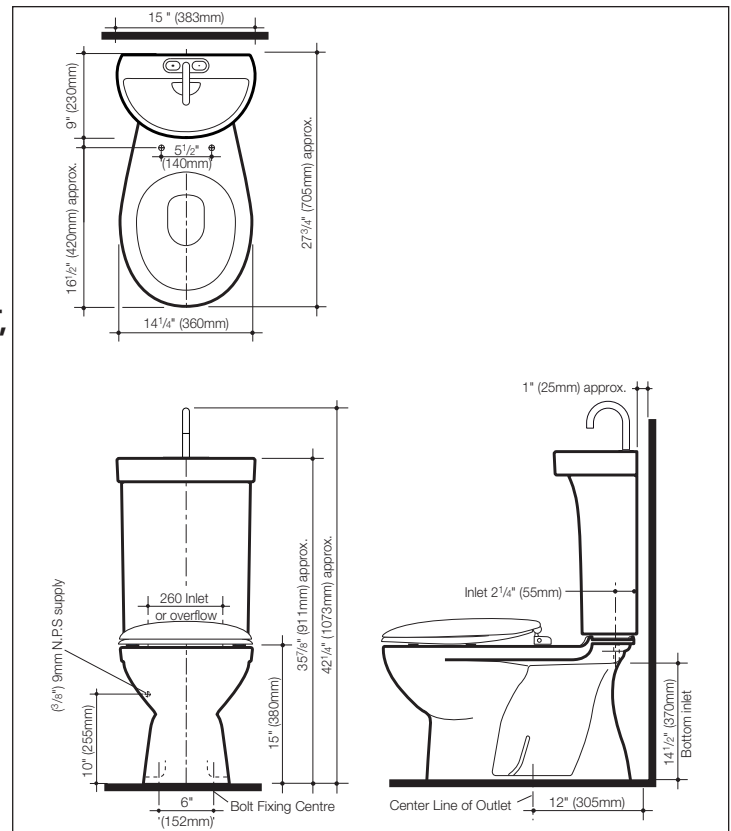
Closet Bowl Fixing Procedure:

- 1- Position 'T' bolts into closet flange, as detailed in **Fig. 3**.
- 2- Position wax seal onto closet flange.
- 3- Ensure that the area around the closet bowl is clean and free from building material.
- 4- It is recommended that a bead of acetic cured silicone caulking is applied fully around base of the closet bowl.
- 5- Accurately align the closet bowl over the closet flange and lower into position.
- 6- Secure Closet bowl by hand tightening nuts and washers onto the 'T' bolts.
Apply an additional 1/2 turn for final installation.
- 7- Remove any excess silicone caulking.

TANK FIXING PROCEDURE

Note: The tank fixes directly to the closet bowl with a robust base fixing system without the need for wall fixing.

- 1- Ensure the pre-fixed foam seal at base of tank is securely attached to tank base, as detailed in **Fig. 4**.
- 2- Lower tank onto closet bowl, allowing the two tank fixing bolts protruding below the tank to locate in the corresponding holes in the closet bowl.
- 3- Fit the plastic wing nuts provided onto the tank fixing bolts which are protruding through the closet bowl and gradually tighten the left and right hand nuts by hand to evenly secure tank to closet bowl.



(N) Non standard item. (Canada)

All measurements are subject to accepted manufacturing tolerances. To ensure complete accuracy please check actual product dimensions before drilling for installation.

The manufacturer reserves the right to change specifications at any time without giving prior notification.

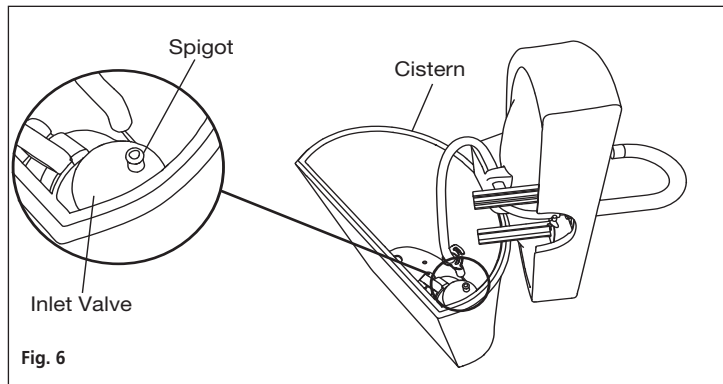
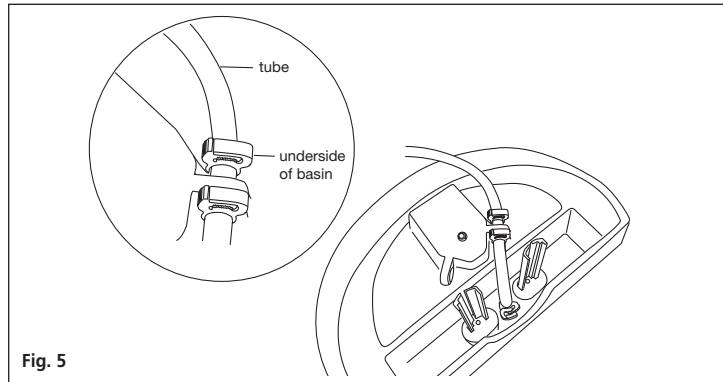
This product should be installed by a qualified plumber. Local authority, Water Board, and Building Regulations may apply to the installation of this product, and you should consult the appropriate bodies on these requirements. Failure to comply may invalidate the product warranty.

Issue No: 1
Date of Issue: 09.29.08

Profile Smart 305 Round Front - 1.28/0.8 gal (4.8/3 ltr)

BASIN FIXING PROCEDURE.

1. Check that the clear tube is secure in place with clamps, as detailed in **Fig. 5**.
2. Rest basin on side of tank as detailed in **Fig 6**.
3. Slide clamp onto clear hose as detailed in **Fig 7**.
4. Make connection to inlet valve top fill spigot with clear hose as detailed in **Fig 7**.
5. Important: Slide clamp down and tighten with pliers to create a water tight seal as detailed in **Fig. 7**.
6. Fit basin onto the tank making sure clear hose remains free of kinks.
7. Flush the lines, connect water supply and check operation of cistern.
Important: Turn on mains water and ensure both clamp connections are water tight and no leaks are present.
8. Fit rubber plug and screw through centre hole and tighten with phillips head screw driver as detailed in **Fig 8**. Screw into M5 outlet valve bracket.
9. Push rubber bush onto grate as detailed in **Fig. 9** apply soap solution to rubber and push into basin hole.

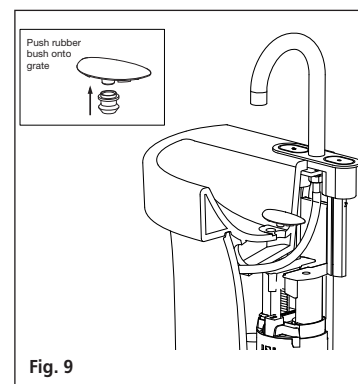
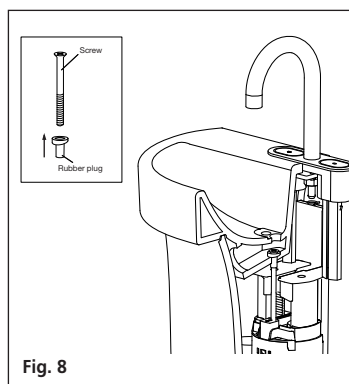
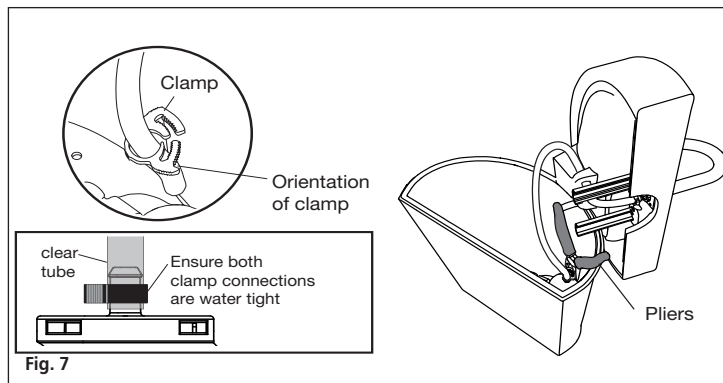


IMPORTANT: THE STANDARD INLET VALVE IS FITTED WITH A LINE STRAINER. ITS TAIL IS CENTRALLY LOCATED TO ALLOW EASY REMOVAL FOR CLEANING.

THIS TAIL FITS EASILY INTO THE COPPER CONNECTION PIPE. INSTALLATION OF THE TANK WITHOUT THE STRAINER CAN LEAD TO DAMAGE OF THE INLET VALVE FROM THE WATER-BORNE CONTAMINANTS LEADING TO TANK MALFUNCTION.

THE STRAINER IS ALSO CAREFULLY DESIGNED TO ACT AS A FLOW CONTROL DEVICE.

IT MAKES THE OPERATION OF THE INLET VALVE SIGNIFICANTLY QUIETER. PLEASE ENSURE THAT THE LINE STRAINER IS PROPERLY INSTALLED FOR BEST PRODUCT PERFORMANCE.



caroma®

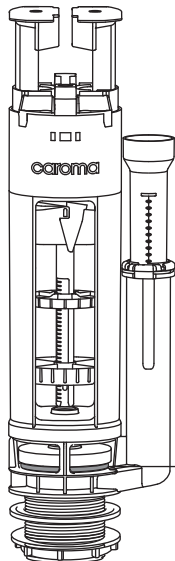
Profile Smart 305 Round Front - 1.28/0.8 gal (4.8/3 ltr) Vitreous China Dual Flush HET, Two Piece Washdown Toilets.

CLEANING INSTRUCTIONS FOR VITREOUS CHINA

To preserve the glazed surface, this toilet should be cleaned with a mild household detergent or warm soapy water.

Tank Spare Parts — Profile Smart 305 with integrated sink

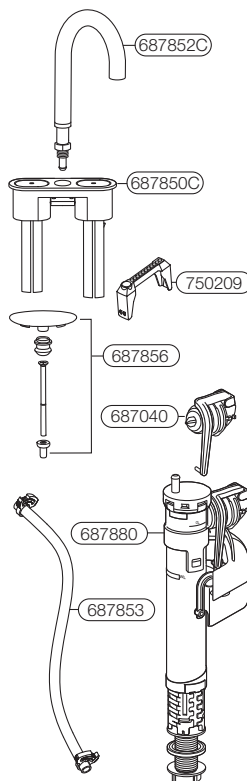
M5 outlet valve replacement parts



Code	Part Description
750017	M5 Outlet valve diaphragm seal
750779	M5 Outlet Valve 1.28/0.8 gal (4.8/0.8 ltr) Profile Smart

Caroma USA, Inc.
Caroma Canada Industries Limited
For spare parts contact
Internet
www.caromausa.com
Phone: 1 800 605 4218

Basin and Quietflow 2 Inlet Valve Replacement Parts



Code	Part Description
687040	Quietflow 2 repair kit
687880	Quietflow USA 2 Top Inlet Valve
687850C	Profile Smart Operating Button
687852C	Spout Kit - Spout, Aerator and nut
687853	Tube and Clamp Kit
687856	Basin Outlet Cover and Fixing Kit