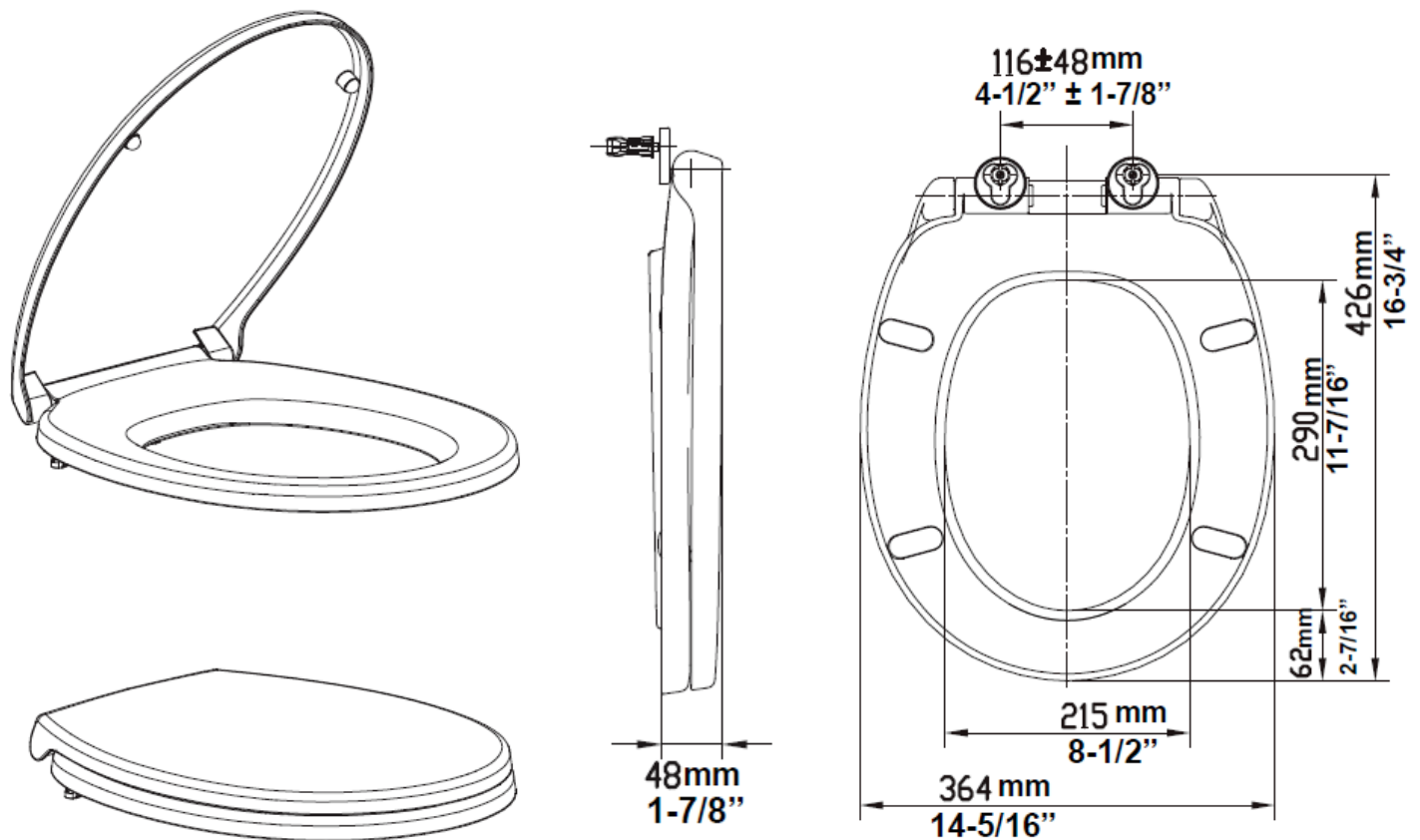


SPECIFICATIONS

Soft Close Detachable Top-fixing Toilet Seat Model 326621W (Round)



32620\21W Specification /REV1.0 2017

SSI Sustainable Solutions International
8395 Riverbend Court, Burnaby, BC
V3N 5E7, Canada

Customer Service:
www.caromausa.com
www.sustainablesolutions.com
Toll free : 1-800-460-7019



Scan this QR Code with your mobile device to visit our website for more information.