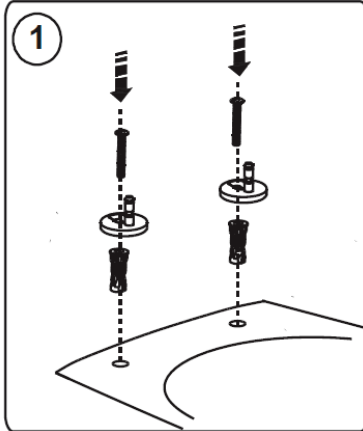


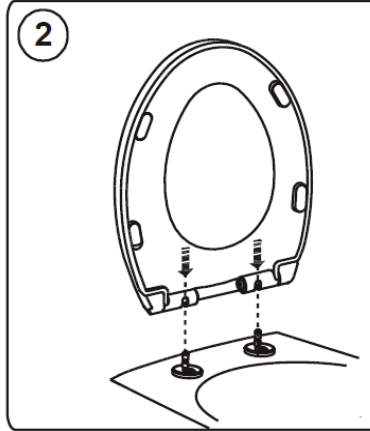
INSTALLATION INSTRUCTIONS: Soft Close Detachable Top-fixing Toilet Seat Model 326621W - Round /326611W - Elongated

Thank you for choosing a Caroma seat. This seat represents the finest in workmanship and design, featuring both slow close and easy clean functions. Please read through the manual carefully to ensure optimum performance and longevity of your product.

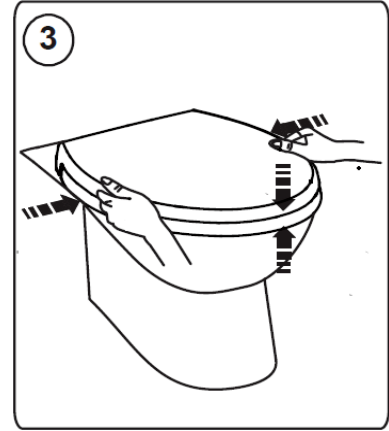
Please read through all instructions before beginning installation and have a screw driver ready in advance.



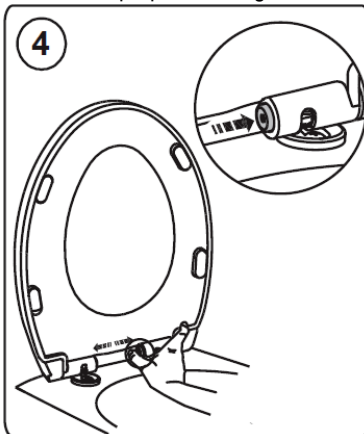
1) Fixing: From above, insert and push plastic anchors into seat fixing holes in bowl until they are flush with the surface. Tighten screws with a screw driver. Do not fasten screws too tightly; they must stay loose to allow proper seat alignment.



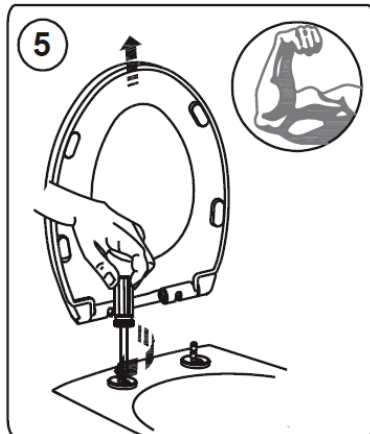
2) Insert hinge pins into the seat



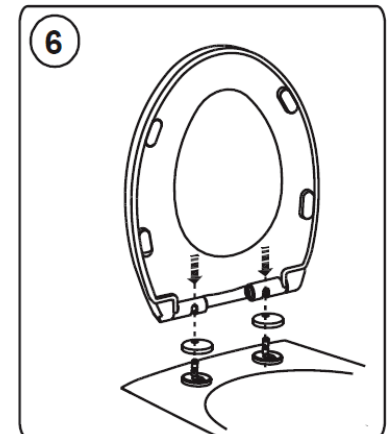
3) Now you are able to swivel the hinge into place to ensure proper seat alignment to bowl.



4) Once the seat is aligned well, lift the seat up and push the two quick release buttons on the inner center of seat underside to remove seat from the mounting bracket.



5) Tighten screws with a screw driver and cover the hinges on bowl with caps.



6) Cover the hinges on bowl with caps. Insert the seat back onto hinges. Your installation is now complete.

⚠ Important Note: Never force the seat closed as this will damage your soft close hinges. Simply close softly and allow the seat to return to a horizontal position.

Cleaning instructions:

Please use only a soft cloth and warm soapy water to clean toilet seats. Dry seat after washing. Use of abrasives or chemicals can damage the finish.

326611W /326621W Instructions /Ver.1.0 2014

