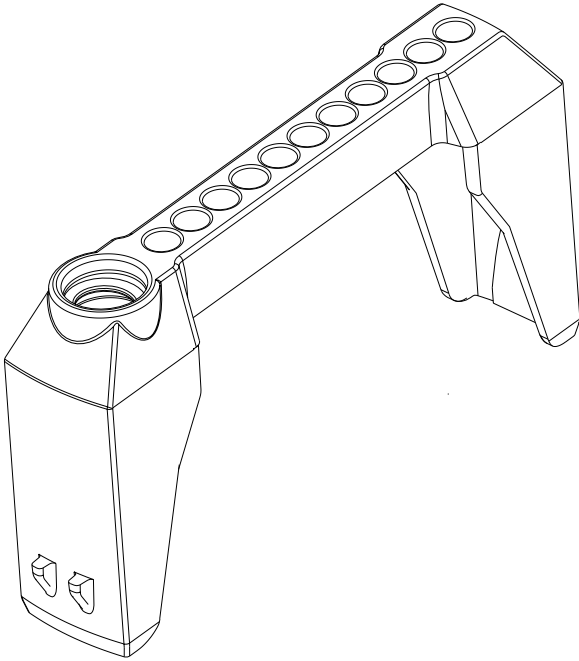


Vandal Resistant Kit No. 750 109



This Pack Contains

- 1 X Vandal Resistant Bracket
- 1 X Threaded Link
- 1 X 75mm Screw
- 1 X 90mm Screw
- 1 X 18.5mm Screw
- 1 X 9.5mm Screw

Vandal Resistant Kit
No.750109



9 311440 392657

Caroma Helplines

Australia **1300 CAROMA (1300 227 662)**

New Zealand **09 279 2700**

Caroma International **+61 3 9926 5477**

USA **1800 605 4218**

Caroma Industries Limited

ABN 35 000 189 499
Locked bag 20, Epping, NSW 2121, Australia

www.caroma.com.au
www.smartflush.com.au
www.caroma.co.nz
www.caromausa.com

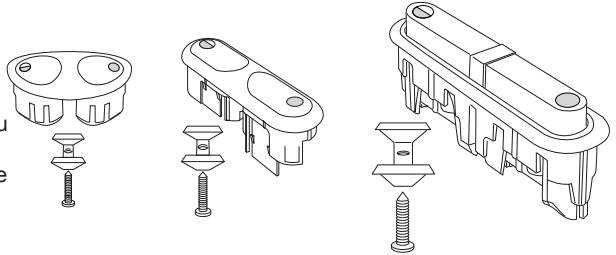
Before You Do Anything!

● Which Button & Bezel set do you have?

From the images below identify which button & bezel set you have. This will then allow you to follow the appropriate Vandal Resistant Kit preparation & installation instructions.

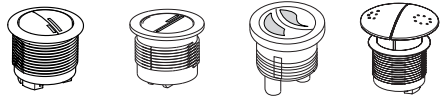
Type **A** Buttons = Instruction Set **A**

Preparation: In these cases you will need to remove & discard the screw & clamp from the underside of the lid (Re: Diagram 2).



Type **B** Buttons = Instruction Set **B**

Preparation: Removal of buttons (Re: Diagram 1).



Type **B** Buttons = Instruction Set **B**

Preparation: In these cases you will need to remove & discard the screw & clamp from the underside of the lid (Re: Diagram 2).

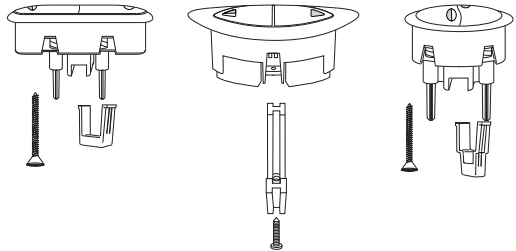
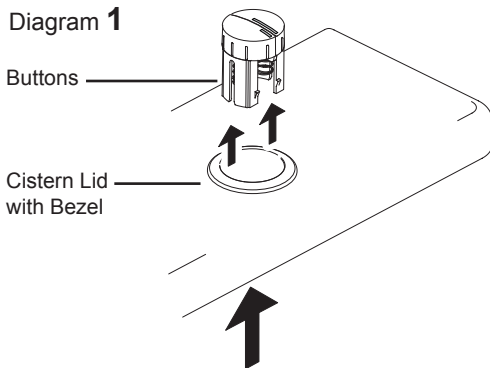
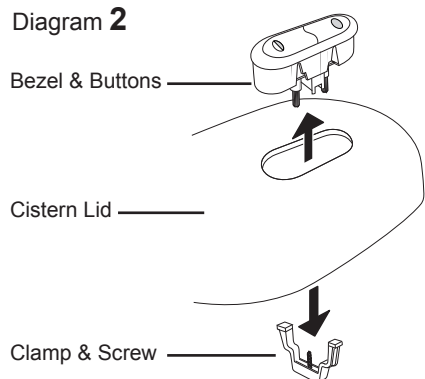


Diagram **1**



Carefully lift off cistern lid and remove buttons by pushing up from the underside of the lid.

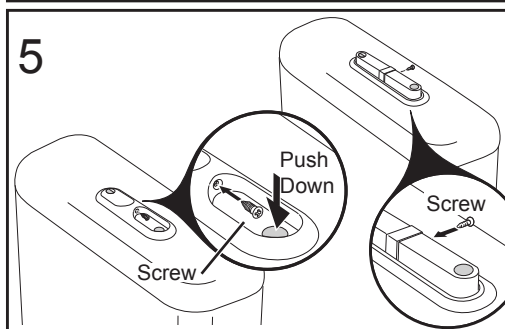
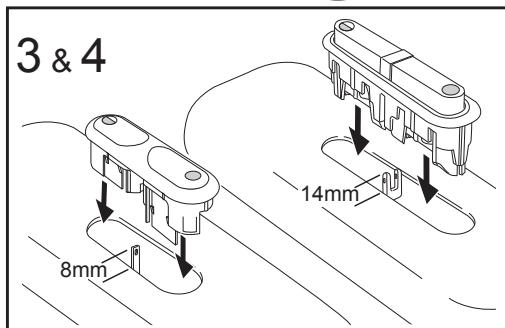
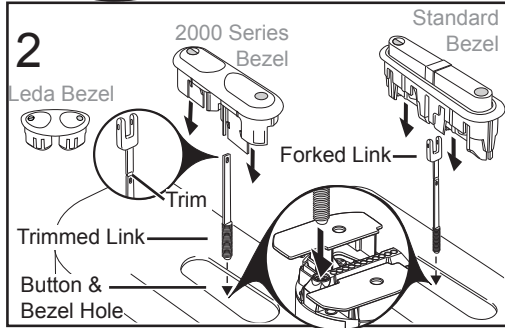
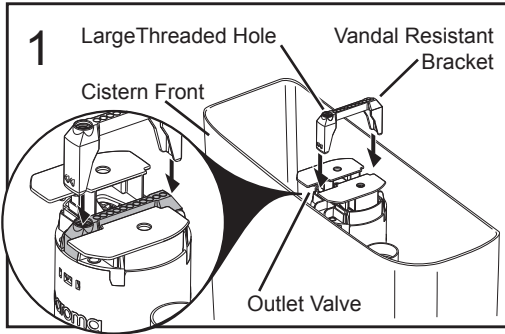
Diagram **2**



Carefully lift off cistern lid. Remove the bezel and Button by unscrewing the clamp on the underside of the lid. Discard screw and clamp.

Type A Buttons

Vandal Resistant Installation Instructions



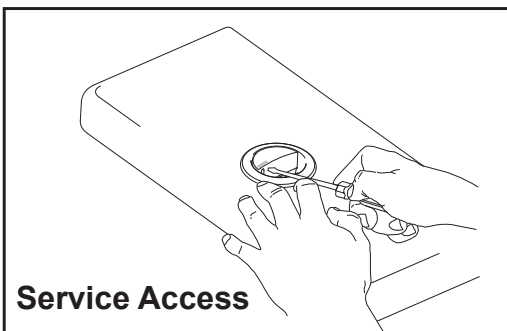
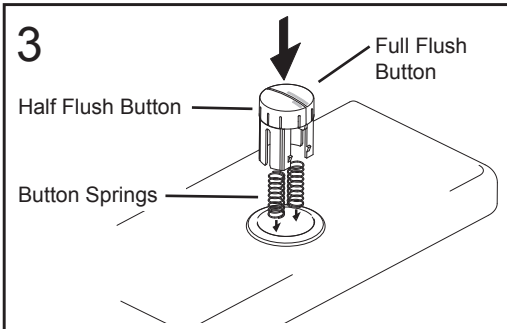
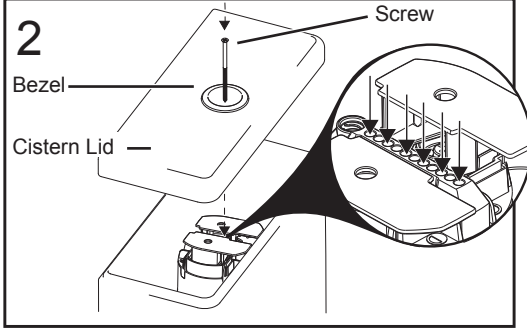
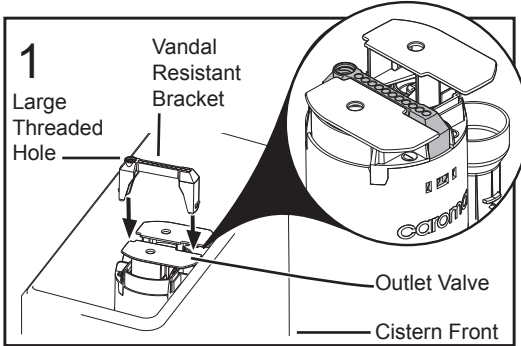
1. Clip the Vandal Resistant Bracket into the top of the outlet valve. Make sure the large threaded hole is toward the front of the cistern.
2. The Standard bezel uses the forked end of the Threaded Link and no trimming is required. For the Leda & 2000 Series Bezels, the link must be neatly trimmed at the position marked. Screw the threaded end of the Link into the large threaded hole in the bracket a few turns.
3. Check that the Forked Link (for Standard Bezel) protrudes from the lid by 14mm. The Trimmed link (for Leda & 2000 Series Bezels) should protrude by 8mm. Replace the bezel & buttons into the cistern lid, ensuring the full flush symbol is on the right hand side and half flush on the left. Make sure that the threaded link goes into the matching slot in the underside of the bezel.
4. Ensure the link is not preventing the bezel from fitting all the way down onto the lid. If necessary, adjust the Link by turning it clockwise half a turn and re-check the fit of the bezel.
5. Two small screws are provided. The larger screw (18.5mm) suits the Standard Bezel and the smaller screw (9.5mm) suits the Leda & 2000 Series Bezels. The screw hole for the Standard Bezel is at the rear, where as the screw hole for the 2000 Series is exposed by depressing the full flush button. Gently insert the screw so the head is just clear of the outer surface.
6. Check the smooth operation of both flush buttons.

Type A Service Access

Undo screws and carefully lift off lid.

Type B Buttons

Vandal Resistant Installation Instructions



1. Clip the Vandal Resistant Bracket into the top of the outlet valve. Make sure the large threaded hole is towards the back of the cistern.
 2. Replace lid and insert the 75mm screw provided through the slot in the bezel. Screw into any one of the small holes in the bracket which lines up with the slot in the bezel.
- Note:** The 90mm screw is provided for those cisterns where the 75mm screw isn't long enough.
3. Replace springs and push buttons into place. Half flush on left side, full flush on right.
 4. Check the smooth operation of both buttons.

Type B Service Access

Depress one button. Pry out one button then the other. Undo screw and carefully lift off lid.