

# caroma®

CI/SfB	(74.2)	n6
Date	November 2007	

Supersedes all previous issues

## Brisbane

# 4.1

### Vitreous China Lavatories/Sinks Semi Recessed

Nominal Size 15<sup>3</sup>/<sub>4</sub>" (400mm) x 18<sup>3</sup>/<sub>4</sub>" (475mm)



## c-UPC®

IAPMO listed for USA & Canada

# Brisbane

## Vitreous China Lavatories/Sinks Semi Recessed

Lavatory Size: 15<sup>3</sup>/<sub>4</sub>" (400mm) x 18<sup>3</sup>/<sub>4</sub>" (475mm) (nominal)



A minimalist geometric designed semi recessed vanity lavatory. The **Geo** semi recessed vanity lavatory has been designed to co-ordinate with other products in the Geo range. For optimum appearance, a specially designed overflow chrome covered waste is supplied as standard. The lavatory is suitable for general purpose domestic and commercial applications. The lavatory is sealed to the counter top with an approved acetic cured silicon caulking.

**Faucet Holes:** The lavatory is available in one faucet hole Code No.851518 and three faucet hole Code No.851538.

**Drain Outlet:** Drain outlets use 1<sup>1</sup>/<sub>4</sub>" (32mm) diameter drain outlet assemblies.

**Bowl Capacity:** 0.66 gal (2.5 l) to overflow.

**Weight:** 24 lbs (11 kg).

**Overflow:** Rear overflow.

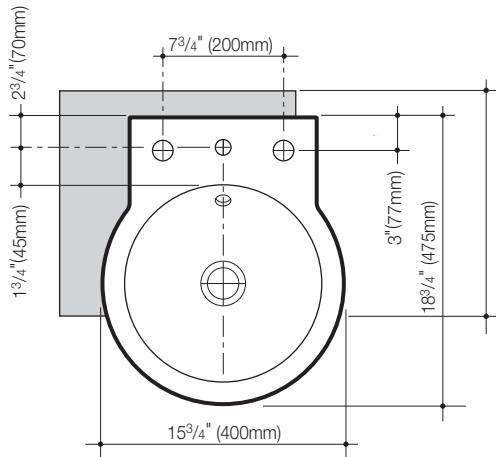
**Fixing:** **D.250 Bracket with Tie Hooks:** Supplied. Recommended for domestic and general commercial use. Two D.250 brackets are fixed to the underside of the counter top to secure the tie hooks which anchor the back of the lavatory to the counter top. The lavatory must be sealed to the top and front surface of the counter with an approved acetic cured silicon caulking. **Epoxy type glues must not be used.** The lavatory is supplied with a template which must be used for the counter top cut-out.

**Important:** For granite or marble tops, fix two 1" (20mm) thick wooden blocks in the bracket position on the underside of the granite/marble with fast setting two part epoxy. When fully set screw the brackets into position on the wooden blocks. Other suitable fastening systems maybe used.

**Colors:** White only.

**Dimensions:** All dimensions are in inches and millimetres and are subject to normal manufacturing variations. Caroma pursues a policy of continuing improvement in design and performance of its products. The right is therefore reserved to vary specifications without notice.

**c-UPC®**  
IAPMO listed for USA & Canada



Note: Local authorities have requirements for minimum lavatory to wall dimensions.

### D250. Fixing Bracket

