

caroma®

| | | |
|--------|---------------|----|
| CI/SfB | (74.4) | g3 |
| Date | November 2007 | |

Supersedes all previous issues

Leda

Vitreous China Wall-Hung Boxed Rim Urinal

9.3



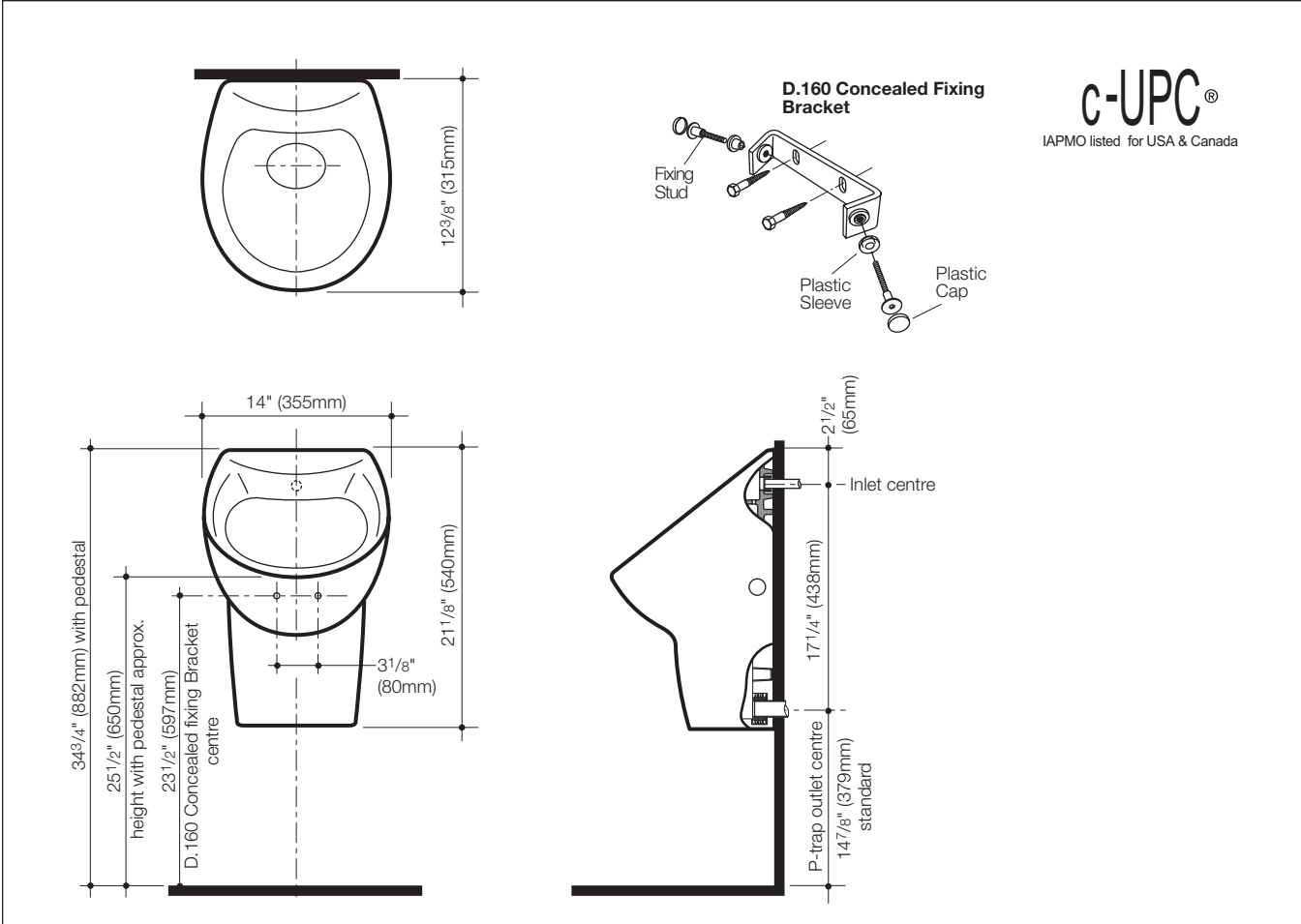
c-UPC®

IAPMO listed for USA & Canada

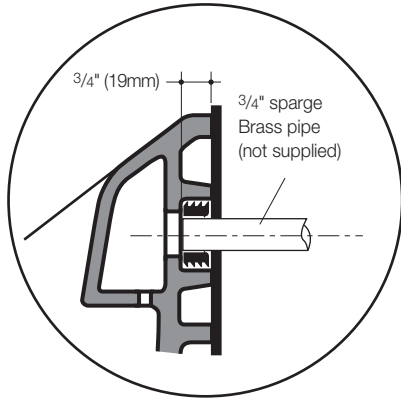


A premium designed compact wall-hung box rim urinal of modern design with a concealed trap and easy to clean surfaces for low cost maintenance. The box rim concept provides for a wash down flush which cleans the inside area of the bowl on each activation. The urinal is suitable for push on wall drain outlet pipe connections. The specially designed drain outlet trap efficiently removes trap contents on each flush. The grate is specially designed in vitreous china and factory fitted with vandal resistant fittings.

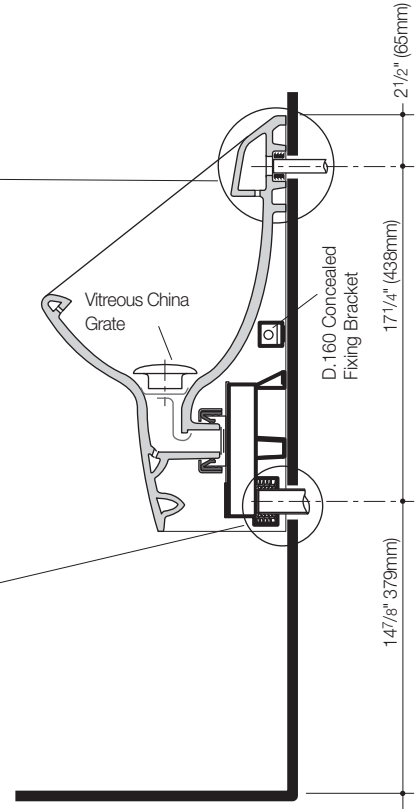
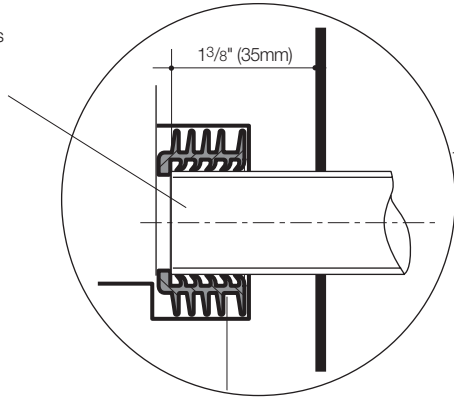
- Traps:** The **Leda** urinal is available in: Wall waste P-trap option – Code No.678218.
- Inlet:** Back inlet for concealed 3/4" (19mm) sparge pipe and compression rubber fitting.
- Outlet:** The urinal trap is connected to the wall drain outlet pipe which allows for a simple push on urinal connection.
- Flush Action:** Box rim.
- Minimum Flow:** 20 l/min. to the urinal.
- Tank:** Invisi conversion to 1.6 gal (6 l) three stall, 1 gal (4 l) two stall and 1/2 gal (2 l) one stall. Code No.227006.
- Flushvalves:** Suitable for connection with flushvalves and electronically activated valves.
- Weight:** 29lbs (13 kg). Pedestal 7 lbs (3kg).
- Fixing:** The Leda urinal is fixed to the wall with the D.160 Concealed Fixing Bracket supplied.
- Colors:** White only.
- Dimensions:** All dimensions are in inches and millimetres and are subject to normal manufacturing variations. Caroma pursues a policy of continuing improvement in design and performance of its products. The right is therefore reserved to vary specifications without notice.



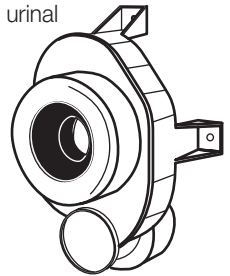
**Leda Urinal
Wall Drain Outlet
Installation**



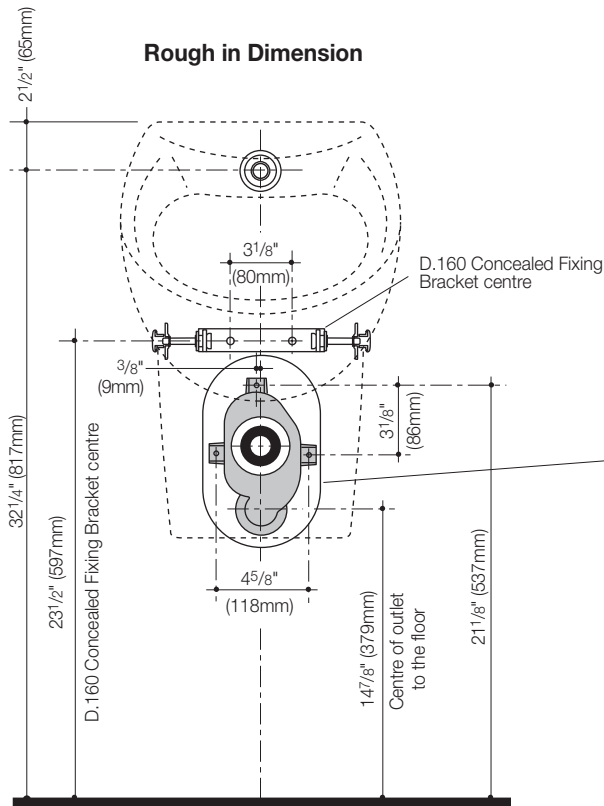
2" or 1 1/2" Brass options
or 1 1/2" PVC SWW
Kee Seal available for 2"
Brass option



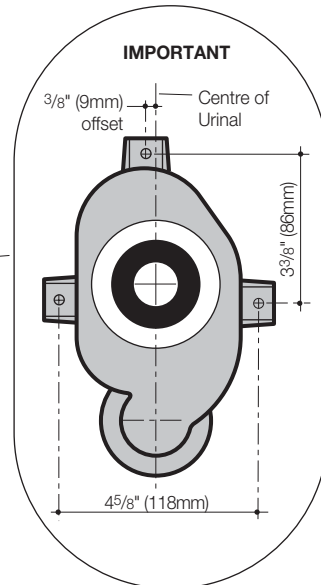
Wall Drain Outlet Pipe Installation
Supplied with P-trap Leda urinal



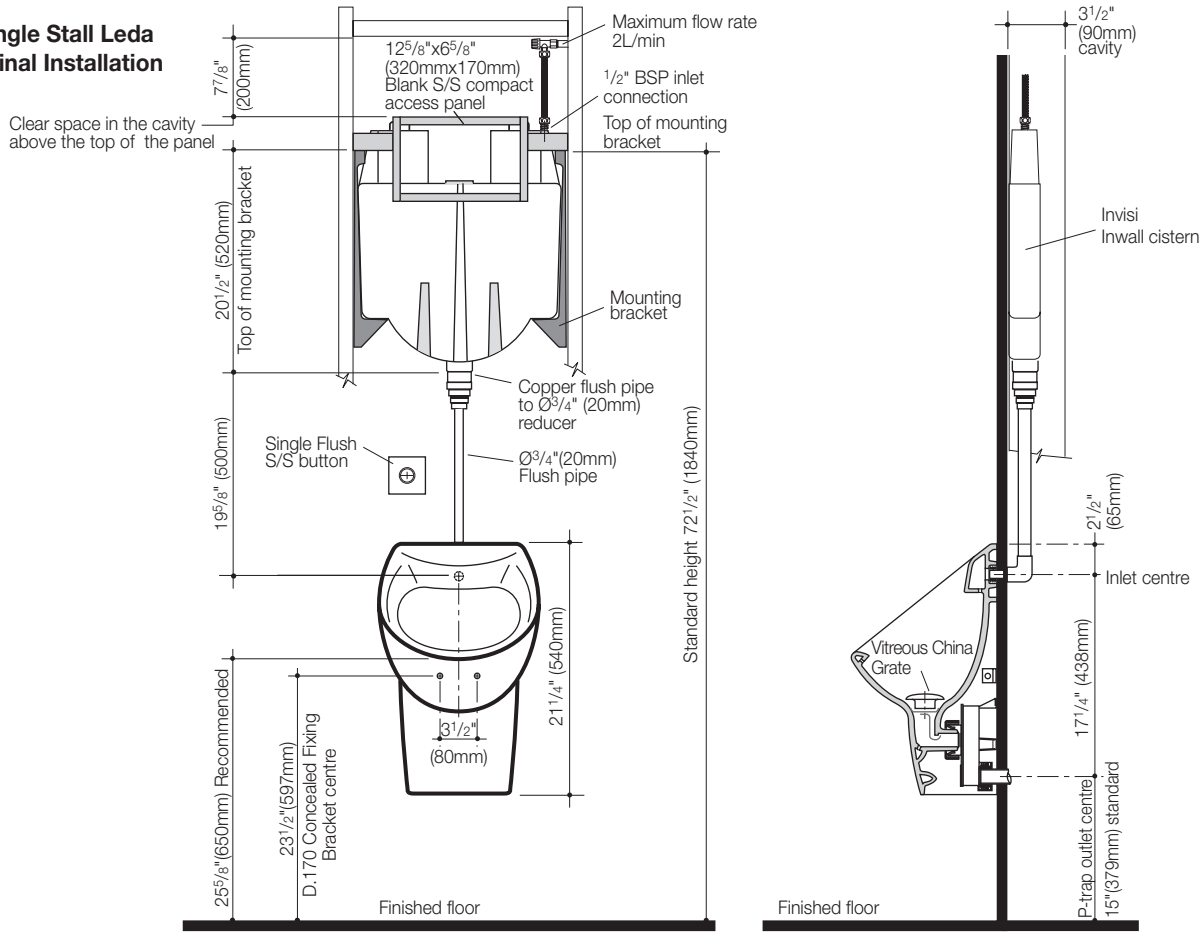
Rough in Dimension



Outlet Trap Fixing Hole Detail



Single Stall Leda Urinal Installation



Two Stall Leda Urinal Installation

