

caroma®

CI/SfB	(74.2)	n6
Date	November 2007	

Supersedes all previous issues

Liano

4.4

Ceramic Lavatories/Sinks Semi Recessed

Nominal Size 16¹/₂" (420mm) x 18¹/₂" (470mm)



c-UPC®

IAPMO listed for USA & Canada

Liano

Ceramic Lavatories/Sinks Semi Recessed

Lavatory Size: 16¹/₂" (420mm) x 18¹/₂" (470mm) (nominal)



The **Liano** Lavatories/Sinks Semi Recessed has been designed to meet the needs of the designer market for prestige projects. An architectural minimalist style was adopted for the square **Liano** incorporating a generous bowl area and distinctive tapware platform. The lavatory is sealed to the counter top with an approved acetic cured silicon caulking.

Faucet Holes: Lavatory available in no faucet hole option Code No.661208, one faucet hole – centre option Code No.661218 and three faucet hole – 8" option Code No.661238 or 4" option Code No.661237.

Drain Outlet: Drain outlets use 1¹/₄" (32mm) diameter drain outlet assemblies.

Bowl Capacity: 1.26 gal (4.8 l) to overflow.

Weight: 31 lbs (14 kg).

Overflow: Rear overflow.

Fixing: **D.250 Bracket with Tie Hooks:** Supplied. Recommended for domestic and general commercial use. Two D.250 brackets are fixed to the underside of the counter top to secure the tie hooks which anchor the back of the lavatory to the counter top. The lavatory must be sealed to the top and front surface of the counter with an approved acetic cured silicon caulking. **Epoxy type glues must not be used.** The lavatory is supplied with a template which must be used for the counter top cut-out.

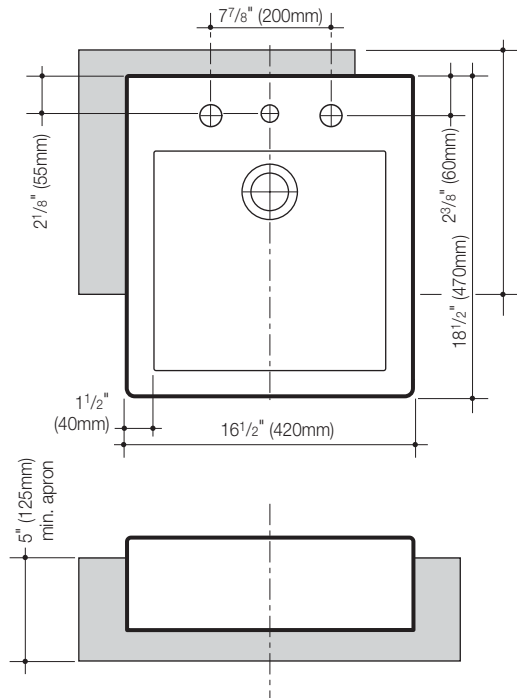
Important: For granite or marble tops, fix two 1" (20mm) thick wooden blocks in the bracket position on the underside of the granite/marble with fast setting two part epoxy. When fully set screw the brackets into position on the wooden blocks. Other suitable fastening systems maybe used.

Colors: White only.

Dimensions: All dimensions are in inches and millimetres and are subject to normal manufacturing variations. Caroma pursues a policy of continuing improvement in design and performance of its products. The right is therefore reserved to vary specifications without notice.

c-UPC®

IAPMO listed for USA & Canada



Variable when using D. 250 Tie Brackets.
Note: Local authorities have requirements for minimum lavatory to wall dimensions.

