

caroma®

CI/SfB	(74.2)	g3
Date	November 2007	

Supersedes all previous issues

Liano

7.5

Lavatories/Sinks Wall Mounted

Nominal Size 16¹/₂" (420mm) x 18¹/₂" (470mm)



c-UPC®

IAPMO listed for USA & Canada

Liano

Vitreous China Lavatories/Sinks Wall Mounted

Lavatory Size: 16 1/2" (420mm) x 18 1/2" (470mm) (nominal)



The **Liano** wall lavatory has been designed to meet the needs of the designer market for prestige projects. An architectural minimalist style was adopted for the square Liano incorporating a generous bowl area and distinctive tapware platform. The lavatory is suitable for general purpose domestic and commercial applications.

Faucet Holes: Lavatory available in: no faucets Code No.649308, one faucet – centre option Code No.649318 and three faucet option Code No.649338.

Drain Outlet: Drain outlets use 1 1/4" (32mm) diameter drain outlet assemblies.

Shroud: Liano Shroud, Code No.812260 completely conceals P-trap waste pipe fittings. Use concealed fixing bracket – supplied and 40mm Caroma plastic P-trap Code No.102112.

Note: It is essential for the installation of the shroud to the lavatory that clearance is provided for the shroud in the plumbing setout from water inlet pipes and connections.

Bowl Capacity: 1.26 gals (4.8 l) to overflow.

Weight: 31 lbs (14 kg).

Overflow: Rear overflow.

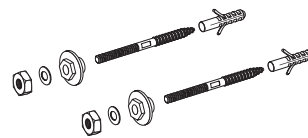
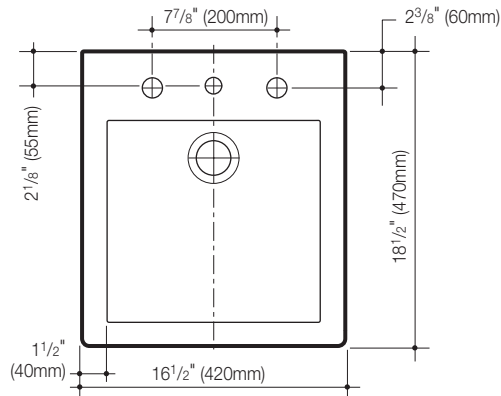
Fixing: **D.200 Lavatory Fixing Kit:** Supplied. Bolts directly to the finished wall.

Colors: White only.

Dimensions: All dimensions are in inches and millimetres and are subject to normal manufacturing variations. Caroma pursues a policy of continuing improvement in design and performance of its products. The right is therefore reserved to vary specifications without notice.

c-UPC®

IAPMO listed for USA & Canada



D.200 Lavatory Fixing Kit
included with lavatory

