

caroma®

CI/SfB	(74.2)	g3
Date	October 2008	

Supersedes all previous issues

Walvit Round Front Plus Wall-Hung

2.9.1

**1.6/0.8 gpf (6/3 l) Water Saving Dual Flush High Efficiency Toilet (HET)
Ultra Low Flush (ULF) Vitreous China Washdown Toilet**



HIGH EFFICIENCY TOILET
HET

c-UPC®
IAPMO listed for USA & Canada

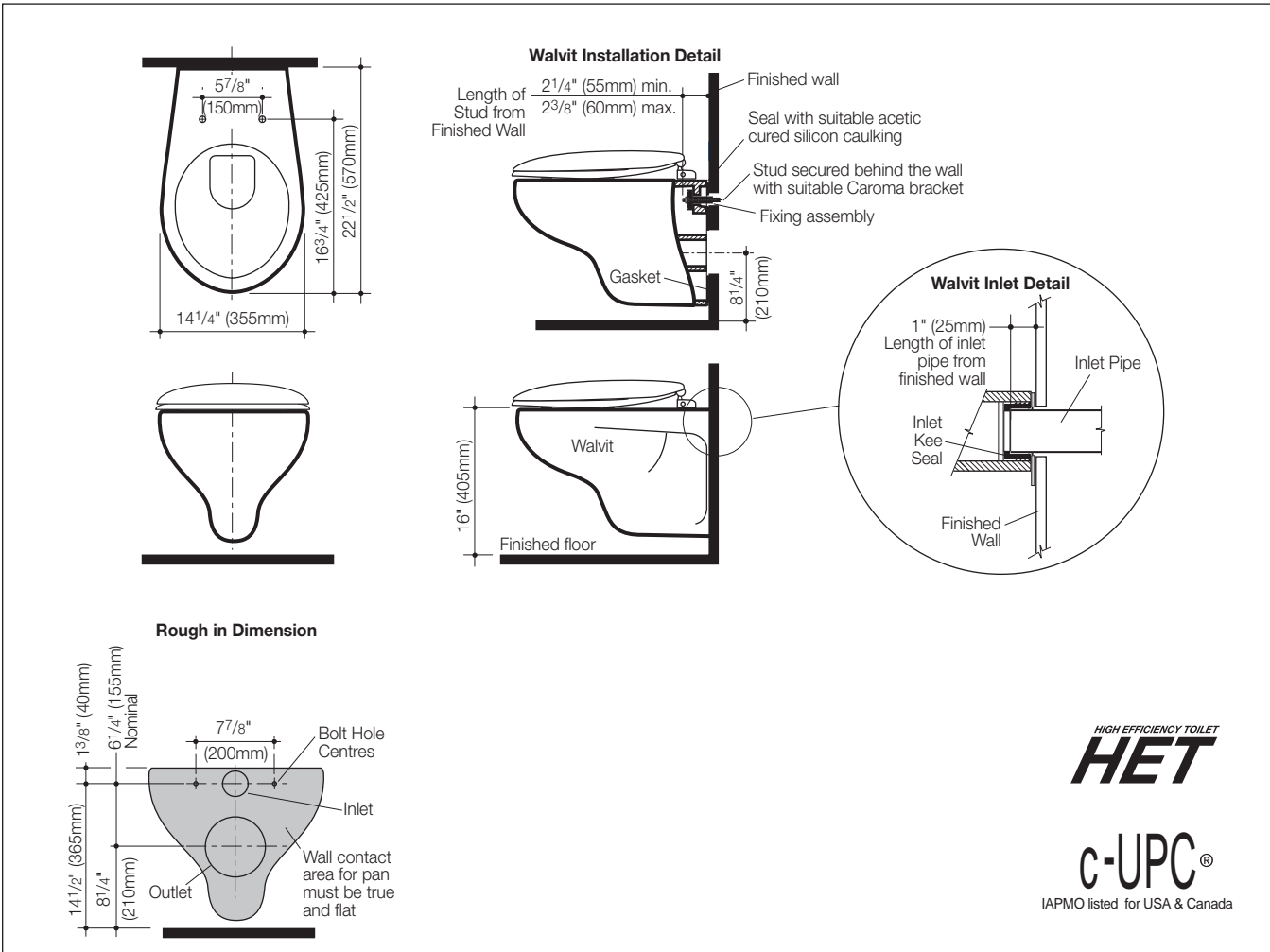
Walvit Wall Hung Round Front Plus 1.6/0.8 gpf (6/3 l) Dual Flush HET

Ultra Low Flush (ULF) Vitreous China Washdown Toilet

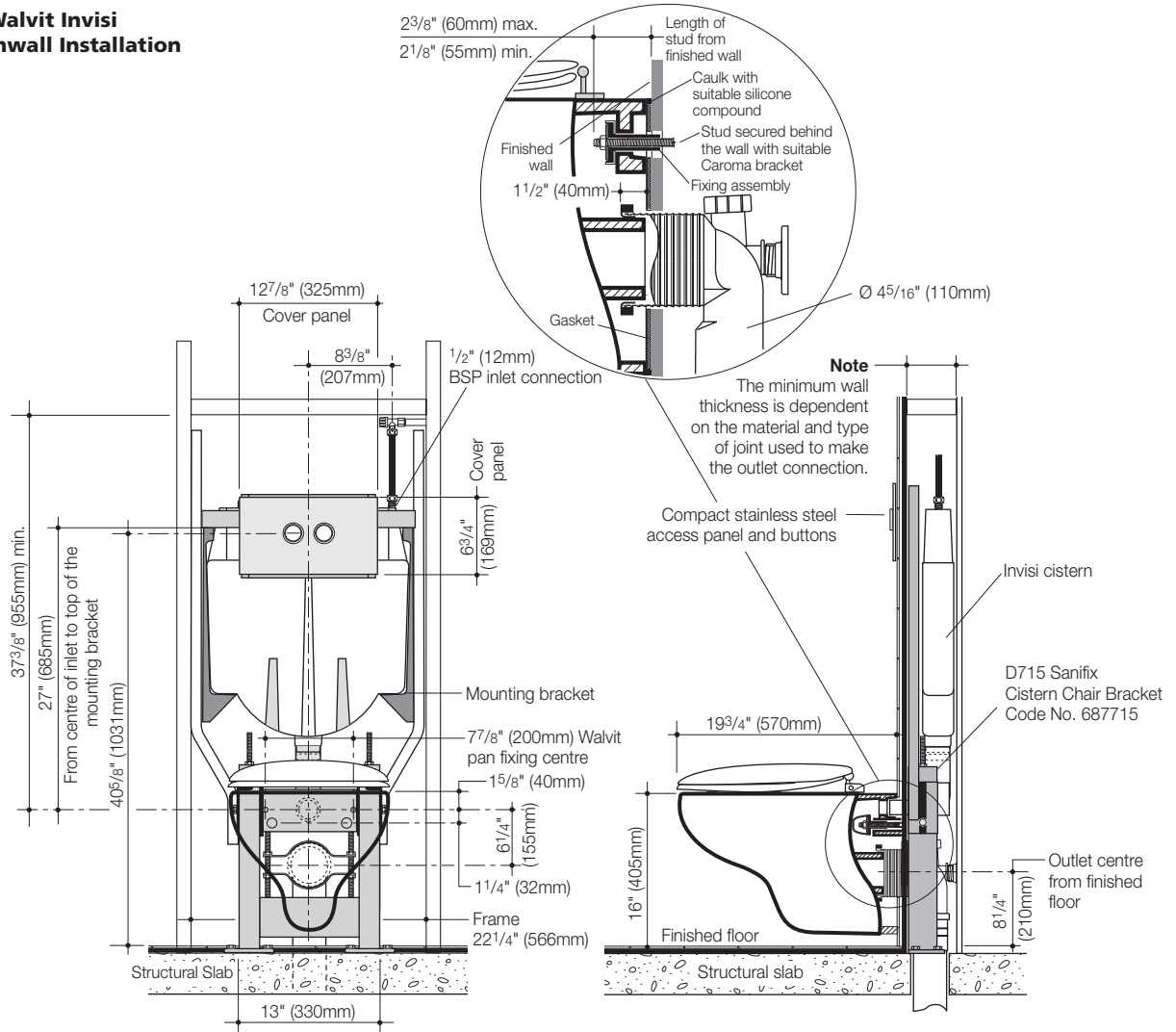


A classically styled box rim wall hung closet bowl featuring smooth sculptured contours and advantages of unobstructed floor for easy cleaning. The closet bowl features concealed shrouded outlet and closet bowl fixings providing optimum appearance to the wall. The Walvit closet bowl has been developed to be installed directly to the wall using the Sanifix bracketing system. The closet bowl is suitable for domestic and commercial applications.

- Closet Bowl:** Walvit 1.6/0.8 gpf (6/3 l) full flush, wall hung, washdown type with box rim. Code No. 604118.
- Outlet:** Wall mounted outlet only, unvented.
- Inlet:** 2" (50mm) back inlet for concealed tank and flush valve installation.
- Tanks:** Caroma concealed tank options are available: **Invisi Inwall/Induct/Inceiling Tanks**. Code No. 227006.
- Weight:** 111 lbs (50 kg).
- Fixing:** Sanifix bracket option available for fixing the Walvit closet bowl directly to the wall: **D.715 Tank Chair Bracket** Code No. 687715, fixing pack Code No. 687812.
- Seats:** The following Caroma seats are recommended: **Detachable** Code No. 301032, **Easy Closing** Code No. 326222, **Standard** Code No. 326707, and **Wooden** Code No. 326606.
- Color:** White.
- Dimensions:** All dimensions are in inches and millimetres and are subject to normal manufacturing variations. Caroma pursues a policy of continuing improvement in design and performance of its products. The right is therefore reserved to vary specifications without notice.



**Walvit Invisi
Inwall Installation**



**Walvit Invisi
Induct Installation**

